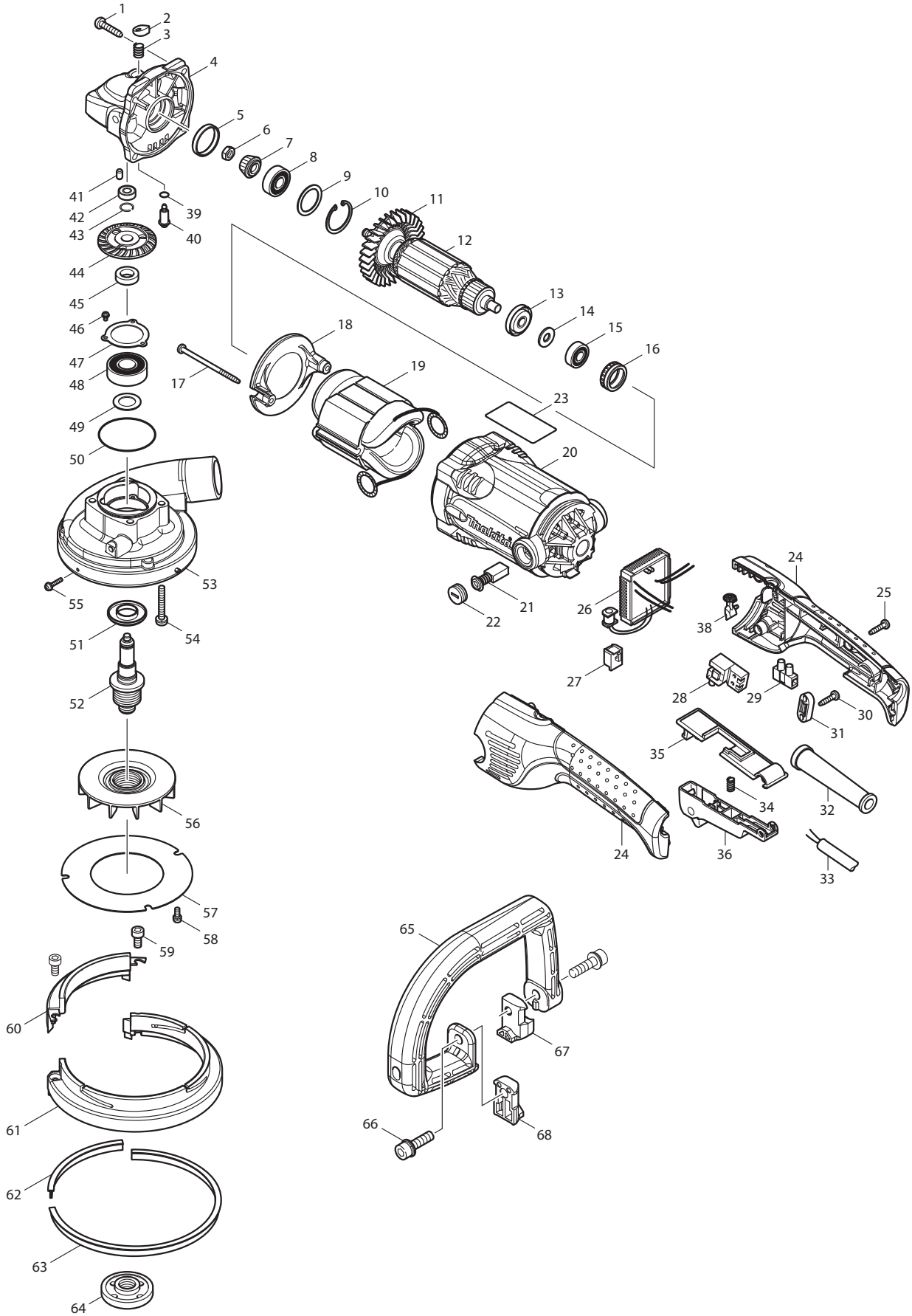




12 - 2010
PC5000C
5" Concrete Planer



| Item No | Type | Sub | Part No | Description | Qty | Unit |
|---------|------|------|----------|---|-----|------|
| 001 | | | 266459-3 | TAPPING SCREW 5X25 | 4 | PC. |
| 002 | | | 417771-6 | PIN CAP | 1 | PC. |
| 003 | | | 234057-1 | COMPRESSION SPRING 8 | 1 | PC. |
| 004 | | | 318158-4 | GEAR HOUSING | 1 | PC. |
| 005 | | | 424051-3 | RUBBER RING 26 | 1 | PC. |
| 006 | | | 264010-3 | HEX.NUT M7 | 1 | PC. |
| 007 | | | 227520-1 | SPIRAL BEVEL GEAR 11 | 1 | PC. |
| 008 | 2 | | 210059-1 | BALL BEARING 6000DDW (Nylon) | 1 | PC. |
| 009 | | | 267352-4 | FLAT WASHER 22 | 1 | PC. |
| 010 | | | 962107-9 | RETAINING RING (INT) R-30 | 1 | PC. |
| 011 | | | 240094-5 | FAN 70 | 1 | PC. |
| 012 | 3 | | 513881-8 | * ARMATURE ASS'Y 115V | 1 | PC. |
| | | INC. | | * Item No. 11, 13-15 | | |
| 013 | | | 681660-3 | INSULATION WASHER | 1 | PC. |
| 014 | | | 267281-1 | FLAT WASHER 8 | 1 | PC. |
| 015 | 2 | | 210005-4 | * BALL BEARING 608DDW | 1 | PC. |
| 016 | | | 421720-7 | RUBBER RING 22 | 1 | PC. |
| 017 | | | 266325-4 | TAPPING SCREW 4X70 | 2 | PC. |
| 018 | | | 419961-7 | BAFFLE PLATE | 1 | PC. |
| 019 | | | 525781-0 | FIELD ASS'Y 115V | 1 | PC. |
| | | INC. | 654020-2 | RING TERMINAL | 2 | PC. |
| | | INC. | 654501-6 | CONNECTOR P-1.25 | 2 | PC. |
| 020 | 1 | | 140219-0 | MOTOR HOUSING COMPLETE | 1 | PC. |
| | | INC. | 643751-8 | BRUSH HOLDER | 2 | PC. |
| | | INC. | 810527-0 | CAUTION LABEL | 1 | PC. |
| | 2 | | 144018-2 | MOTOR HOUSING COMPLETE | 1 | PC. |
| | | INC. | 643751-8 | BRUSH HOLDER | 2 | PC. |
| | | INC. | 810570-0 | CAUTION LABEL | 1 | PC. |
| 021 | 2 | | 194994-0 | CARBON BRUSH CB-253 2PC/SET (W/ ORIGIN) | 1 | SET |
| 022 | | | 643750-0 | BRUSH HOLDER CAP | 2 | PC. |
| 023 | | | 866345-4 | PC5000C NAME PLATE | 1 | PC. |
| 024 | | | 188630-8 | HANDLE SET | 1 | SET |
| 025 | | | 266326-2 | TAPPING SCREW 4X18 | 4 | PC. |
| 026 | | | 631797-6 | CONTROLLER | 1 | PC. |
| 027 | | | 418518-1 | SLEEVE | 1 | PC. |
| 028 | 3 | | 651922-3 | SWITCH TG71B, SINGLE, W/O LOCK | 1 | PC. |
| 029 | | | 654575-7 | TERMINAL BLOCK | 1 | PC. |
| 030 | | | 266326-2 | TAPPING SCREW 4X18 | 2 | PC. |
| 031 | | | 687123-7 | STRAIN RELIEF | 1 | PC. |
| 032 | | | 682574-9 | CORD GUARD 10-90 | 1 | PC. |
| 033 | | | 664276-9 | CORD W/PLUG 2P-16-5.0M, SJ | 1 | PC. |
| 034 | | | 233117-6 | COMPRESSION SPRING 6 | 1 | PC. |
| 035 | | | 418519-9 | SWITCH BASE | 1 | PC. |
| 036 | | | 158401-7 | SWITCH LEVER A COMPLETE | 1 | PC. |
| 038 | | | 450184-8 | LENZ | 1 | PC. |
| 039 | | | 213977-2 | O RING 7 | 1 | PC. |
| 040 | | | 256505-0 | SHOULDER PIN 5 | 1 | PC. |
| 041 | | | 263002-9 | RUBBER PIN 4 | 1 | PC. |
| 042 | | | 210033-9 | BALL BEARING 696ZZ | 1 | PC. |
| 043 | | | 233950-6 | RING SPRING 11 | 1 | PC. |
| 044 | | | 227521-9 | SPIRAL BEVEL GEAR 35A | 1 | PC. |
| 045 | | | 257171-6 | RING 12 | 1 | PC. |
| 046 | | | 911003-8 | PAN HEAD SCREW M3X6 | 3 | PC. |

| Item No | Type | Sub | Part No | Description | Qty | Unit |
|---------|------|-----|----------|---|-----|------|
| 047 | | | 285728-3 | BEARING RETAINER 39 | 1 | PC. |
| 048 | | | 211241-5 | BALL BEARING 6202DDW | 1 | PC. |
| 049 | | | 253853-8 | FLAT WASHER 15 | 1 | PC. |
| 050 | | | 213624-5 | O RING 48 | 1 | PC. |
| 051 | | | 345464-4 | LABYRINTH RING | 1 | PC. |
| 052 | | | 325623-6 | SPINDLE A | 1 | PC. |
| 053 | 2 | | 141021-4 | SKIRT B COMPLETE | 1 | PC. |
| 054 | | | 911256-9 | PAN HEAD SCREW M5X35 | 4 | PC. |
| 055 | | | 911024-0 | PAN HEAD SCREW M3X14 | 1 | PC. |
| 056 | | | 240114-5 | FAN 85 | 1 | PC. |
| 057 | | | 346045-7 | SEPARATOR | 1 | PC. |
| 058 | | | 911115-7 | PAN HEAD SCREW M4X10, W/WASHER&BOND | 3 | PC. |
| 059 | | | 922312-0 | HEX. SOCKET HEAD BOLT M6X12 | 2 | PC. |
| 060 | 2 | | 424526-2 | * DUST COVER CAP | 1 | PC. |
| 061 | 2 | | 424525-4 | * DUST COVER | 1 | PC. |
| 062 | 2 | | 743341-8 | * BRUSH B | 1 | PC. |
| 063 | 2 | | 743340-0 | * BRUSH A | 1 | PC. |
| 064 | | | 224568-4 | LOCK NUT 5/8-45 | 1 | PC. |
| 065 | | | 416256-9 | LOOP HANDLE | 1 | PC. |
| 066 | | | 922453-2 | HEX.SOCKET HEAD BOLT M8X30 | 2 | PC. |
| 067 | | | 450189-8 | SPACER A | 1 | PC. |
| 068 | | | 450190-3 | SPACER B | 1 | PC. |
| 069 | | | 253828-7 | * FLAT WASHER 10 (ADDED, F/ARMATURE FAN SIDE) | 1 | PC. |
| 100 | | | 849901-5 | CARTON | 1 | PC. |
| 200 | | | 654509-0 | CONNECTOR 2-SD | 1 | PC. |

ACCESSORIES

- See Catalogue or visit www.makita.ca for more accessories -

| | | | | | | |
|-----|--|--|----------|------------------------------|---|-----|
| A01 | | | 122853-8 | DUST BAG ASS'Y | 1 | PC. |
| A02 | | | 410047-0 | WRENCH HOLDER 5.6 | 1 | PC. |
| A03 | | | 782425-7 | LOCK NUT WRENCH 28 | 1 | PC. |
| A04 | | | 783203-8 | HEX. WRENCH 5 | 1 | PC. |
| A05 | | | 140073-2 | STEEL CARRYING CASE COMPLETE | 1 | PC. |
| A07 | | | ----- | DIAMOND CUP WHEELS | | |
| A08 | | | 193956-5 | DUST COVER ATTACHMENT | 1 | PC. |

SERVICE CHANGES

1. Changes on Armature Assy

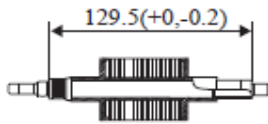
(TI#86782)

(TI#99386)

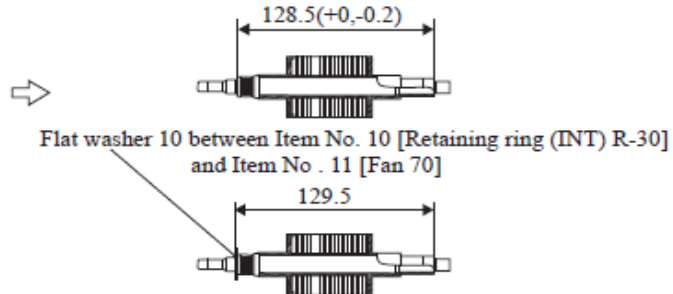
| Item No. | Description | Type 1 | Type 2 | Type 3 |
|----------|---------------|----------|----------|----------|
| 12 | Armature Assy | 510126-5 | 513796-9 | 513881-8 |
| 15 | Ball Bearing | 210044-4 | | 210005-4 |
| 69 | Flat Washer | --- | | 253828-7 |

Above parts are completely interchangeable as a set.

Type 1



Type 2



Type 3 of Armatures

Commutator is changed to increase durability

2. Changes on Brush A/B, Dust Cover and Dust Cover Cap (T/I# 97089)

| Item No. | Description | Type 1 | Type 2 |
|----------|----------------|----------|----------|
| 60 | Dust Cover Cap | 424188-6 | 424526-2 |
| 61 | Dust Cover | 424187-8 | 424525-4 |
| 62 | Brush B | 443145-5 | 743341-8 |
| 63 | Brush A | 443144-7 | 743340-0 |
| A06 | Brush Set | 194921-7 | ---- |

Above parts are completely interchangeable as a set.

TYPE 1

TYPE 2

